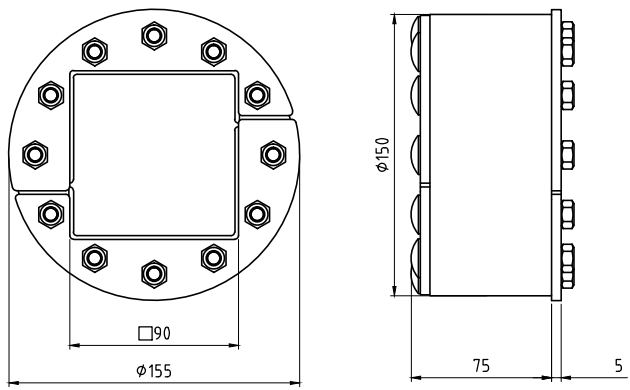
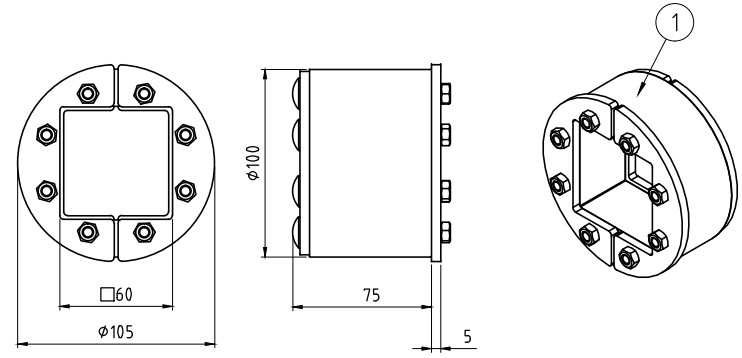


熔克赛克保留所有权利。未经授权严禁复制、使用以及向第三方泄漏。

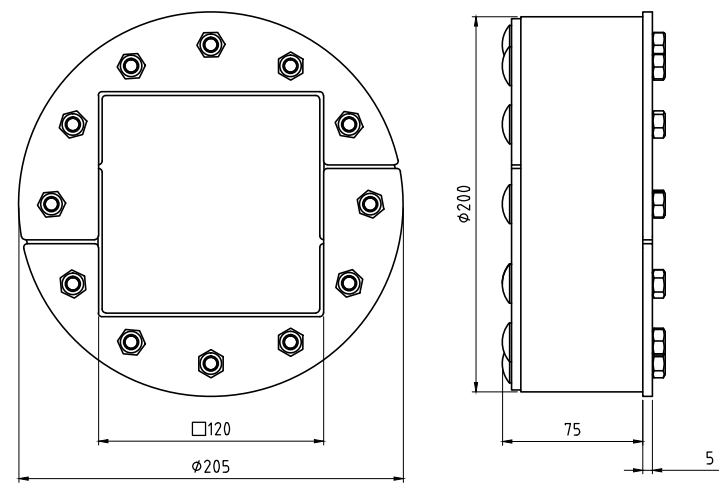
All rights reserved. Unauthorized reproduction, use or disclosure to third parties is strictly forbidden.



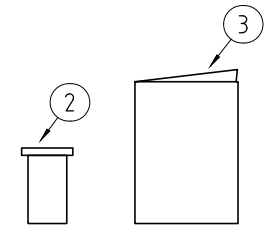
R 150 UG FRAME



R 100 UG FRAME



R 200 UG FRAME



LUBRICANT AND INSTALLATION INSTRUCTION INCLUDED.

3	1	INST INSTRUCTION									
2	1	LUBRICANT	TALLOW 25ML								
1	1	FRAME	HIGH ELASTIC EPDM								
Item	Qty	Designation	Specification	Net Weight							
General Reference		Material details		General surface		Designed by		Created Date		2015-11-09	
ISO 1008-1/2-2001		EN ISO 5817-6		ISO 1253		se-jenboh		2013-09-13		2015-11-09	
EN ISO 1992-01		EN ISO 10342-8				Roxtec		R UG SERIES		Project	
						www.roxtec.com		FRAME ASSEMBLY		method	
						Restricted due to		Information drawing		Drawing number	
										S1035437	
										Rev	
										E	

E	DEPTH CHANGED FROM 45.	2015-11-09	se-jenboh
Rev	Type of revision	Date	Sign