

Thank you for purchasing our device! We hope it will satisfy your expectations and you will enjoy its particular features. Please find a few minutes to read this Quick Start Guide before beginning to use the Alarm Monitoring and Control System TWCT22. This would make the installation and the use of the device easier. This could prevent unexpected problems and save your precious time.

1. INTRODUCTION

TWCT22 is a compact monitoring and control device for remote objects with support for Short Messages (SMS). The device is configurable through internal WEB server interface via GSM network and RS232 interface. Multiple users can interrogate TWCT22 or be notified on configurable events.

2. TECHNICAL SPECIFICATION

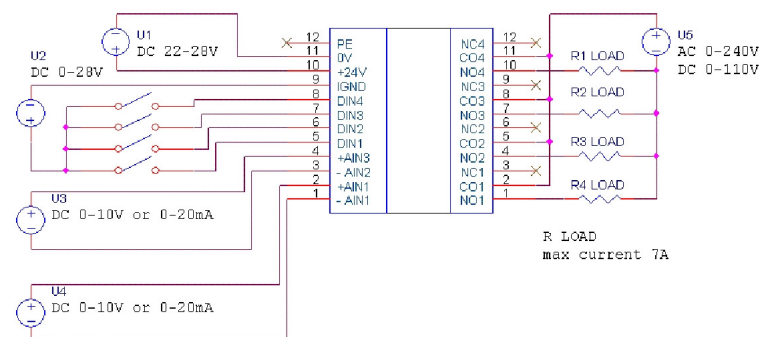
- Power 11 - 29V (for the model TWCT22)
 - Wireless modem: Dual Band GSM (900/1800MHz)
 - 4 digital inputs ("0" (false) 0 – 3V, "1" (true) 3-30V, terminal blocks)
 - 2 analog inputs. (0 – 10V max 15V, 0-20mA max 30mA, terminal blocks)
 - 4 relay outputs (~250V, 7A, terminal blocks)
 - Interfaces RS232 (RJ45 connector) and GSM GPRS (antenna MMCX connector)
 - Alarm message service via SMS, E-Mail
 - Protocols HTTP and SMTP
 - Configurable through internal WEB server interface
 - Watchdog controller
 - Operating temperature range from -20°C to +55°C
 - DIN Rail
- Mounting

3. PACKAGE CONTENTS

- 1) TWCT22;
- 2) Serial cable PORT1/2 (PC connector – female COM port, another RJ45);
- 3) GSM antenna (MMCX connector);
- 4) Teltonika card with the documentation and software server address.

Note: the manufacturer does not provide SIM card, which is necessary for connecting to the GSM network! SIM card can be obtained from your GSM operator!
If any of the components is missing please contact your local distributor.

4. CONNECTIONS ON TWCT22



5. HOW TO START ? Installation the SIM card

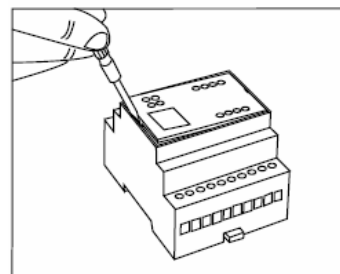


Figure 5.1

Remove the cover with screwdriver (see the figure 5.1).

Slide the SIM card holder toward its hinge to unlock it (see the figure 5.2). Lift the SIM card holder.

Remove your SIM card from the package (your SIM card might be inserted already).

Insert the SIM card into the holder so that the notches align (see the figure 5.3).

Close the SIM card holder.

Slide the SIM card holder away from its hinges to lock it, (see the figure 5.4).

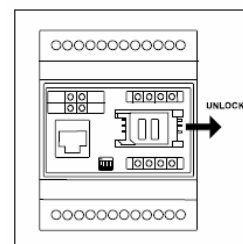


Figure 5.2

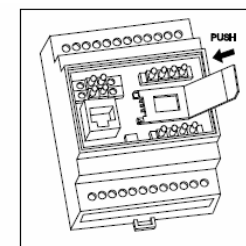


Figure 5.3

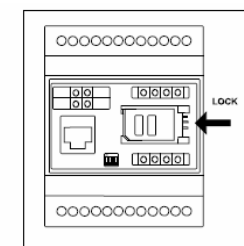


Figure 5.4

Setting the device

Before connecting TWCT22 to PC, set the dip switch according the *Figure 5.5*.

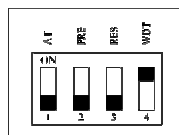


Figure 5.5

Connection to PC

- 1) Connect PC serial port to the TWCT22 serial port cable PORT1/2.
- 2) Run the program TWCT.EXE by clicking on the program icon.
- 3) Click the link <http://localhost:5000> and Internet explorer window will run automatically.

6. FINAL NOTES

For more information, please read the “TWCT22” User Manual, which is found by address <http://www.teltonika/downloads/TWCT22>. If you encounter any problems using the device and you are not able to solve them yourself, you are always welcome to contact our technical support department by e-mail support@teltonika.lt. We will be pleased to help you.